

DIECI
A M E R I C A S
TELEHANDLERS



PEGASUS 360°

45.30 100.97 | 50.25 110.79 | 50.26 110.84
60.16 132.53 | 60.21 132.67

dieci-americas.com

PERFORMANCE

Vehicle model	PEGASUS 60.16	PEGASUS 60.21	PEGASUS 50.25	PEGASUS 50.26	PEGASUS 45.30
USA Vehicle model	P 132.53	P 132.67	P 110.79	P 110.84	P 100.97
Maximum capacity	13228 lb (6000 kg)	13228 lb (6000 kg)	11020 lb (4999 kg)	11020 lb (4999 kg)	10000 lb (4536 kg)
Maximum lifting height	53,1 ft (16,20 m)	67,3 ft (20,50 m)	79,1 ft (24,10 m)	84,3 ft (25,7 m)	97,1 ft (29,6 m)
Maximum horizontal extension	59,4 ft (18,1 m)	44,9 ft (13,7 m)	70,5 ft (21,5 m)	72,5 ft (22,1 m)	85,6 ft (26,1 m)
Fork swiveling angle	133°	133°	133°	133°	133°
Pull-out force	16636 lbf (7400 daN)	16636 lbf (7400 daN)	16636 lbf (7400 daN)	16636 lbf (7400 daN)	16636 lbf (7400 daN)
Towing force	21132 lbf (9400 daN)	21132 lbf (9400 daN)	21132 lbf (9400 daN)	22481 lbf (10000 daN)	22481 lbf (10000 daN)
Maximum climb angle	40%	40%	40%	40%	40%
Unladen weight	38140 lb (17300 kg)	39242 lb (17800 kg)	39683 lb (18000 kg)	46297 lb (21000 kg)	48832 lb (22150 kg)
Max speed (referred to wheels with maximum permitted diameter)	24,9 mph (40 km/h)	24,9 mph (40 km/h)	24,9 mph (40 km/h)	24,9 mph (40 km/h)	24,9 mph (40 km/h)

BOOM

Vehicle model	PEGASUS 60.16	PEGASUS 60.21	PEGASUS 50.25	PEGASUS 50.26	PEGASUS 45.30
USA Vehicle model	P 132.53	P 132.67	P 110.79	P 110.84	P 100.97
Lifting	24,8 s	21,9 s	21,9 s	14,5 s	14,5 s
Descent	16,5 s	13,8 s	13,8 s	9,5 s	9,5 s
Extension	24,7 s	31,2 s	44,4 s	30 s	29,0 s
Retraction	11,6 s	17,4 s	23,1 s	15 s	14,0 s
Forward swiveling	5,7 s	3,7 s	3,7 s	2,1 s	2,1 s
Reverse swiveling	2,5 s	2,3 s	2,3 s	1,3 s	1,3 s

ENGINE

Vehicle model	PEGASUS 60.16	PEGASUS 60.21	PEGASUS 50.25	PEGASUS 50.26	PEGASUS 45.30
USA Vehicle model	P 132.53	P 132.67	P 110.79	P 110.84	P 100.97
Brand	Perkins	Perkins	Perkins	FPT	FPT
Nominal power	134 HP (100 kW)	134 HP (100 kW)	134 HP (100 kW)	168 HP (125 kW)	168 HP (125 kW)
@rpm	2200 rpm	2200 rpm	2200 rpm	2200 rpm	2200 rpm
Peak power	134 HP (100 kW)	134 HP (100 kW)	134 HP (100 kW)	170 HP (127 kW)	170 HP (127 kW)
@rpm	2200 rpm	2200 rpm	2200 rpm	1900 rpm	1900 rpm
Operation	4-stroke	4-stroke	4-stroke	4-stroke	4-stroke
Injection	Electronic, Common Rail	Electronic, Common Rail	Electronic, Common Rail	Electronic, Common Rail	Electronic, Common Rail
Number and arrangement of cylinders	4, Vertical in line	4, Vertical in line	4, Vertical in line	4, Vertical in line	4, Vertical in line
Displacement	221 in ³ (3621 cm ³)	221 in ³ (3621 cm ³)	221 in ³ (3621 cm ³)	274 in ³ (4485 cm ³)	274 in ³ (4485 cm ³)
Consumption	355,32 lb/Hp h (216 g/kWh)	355,32 lb/Hp h (216 g/kWh)	355,32 lb/Hp h (216 g/kWh)	460,6 lb/Hp h (280 g/kWh)	460,6 lb/Hp h (280 g/kWh)
@rpm	1900 rpm	1900 rpm	1900 rpm	1900 rpm	1900 rpm
Emission standard	Stage V	Stage V	Stage V	Stage IV/Tier 4f	Stage IV/Tier 4f
Exhaust gas treatment	DOC+DPF+SCR (with AdBlue)	DOC+DPF+SCR (with AdBlue)	DOC+DPF+SCR (with AdBlue)	DOC+SCR (AdBlue)	DOC+SCR (AdBlue)
Cooling system	Liquid	Liquid	Liquid	Liquid	Liquid
Intake	16-valve turbocharger with aftercooler	16-valve turbocharger with aftercooler	16-valve turbocharger with aftercooler	16-valve turbo compressor, aftercooler	16-valve turbo compressor, aftercooler

DIFFERENTIAL AXLES

Vehicle model	PEGASUS 60.16	PEGASUS 60.21	PEGASUS 50.25	PEGASUS 50.26	PEGASUS 45.30
USA Vehicle model	P 132.53	P 132.67	P 110.79	P 110.84	P 100.97
Type of axles	2 steering, with 4 epicycloidal reduction gears	2 steering, with 4 epicycloidal reduction gears	2 steering, with 4 epicycloidal reduction gears	2 steering, with 4 epicycloidal reduction gears	2 steering, with 4 planetary reduction gears
Type of steering	4 wheels / transversal / 2 wheels	4 wheels / transversal / 2 wheels	4 wheels / transversal / 2 wheels	4 wheels / transversal / 2 wheels	4 wheels / transversal / 2 wheels
Front axle	With transverse leveling device with control in the cab	With transverse leveling device with control in the cab	With transverse leveling device with control in the cab	With transverse leveling device driven by the cab	With transverse leveling device driven by the cab
Rear axle	Oscillating with automatic lock	Oscillating with automatic lock	Oscillating with automatic lock	Swinging	Swinging
Service braking	Oil bath with servo brake on front and rear axle with double hydraulic system	Oil bath on front and rear axles with servo brake with double hydraulic system	Oil bath with servo brake on front and rear axle with double hydraulic system	Oil bath with servo brake on front and rear axle with double hydraulic system	Oil bath with servo brake on front and rear axle with double hydraulic system
Parking braking	Negative actuation with electronic control	Negative actuation with electrical control	Negative actuation with electrical control	Negative actuation with electrical control	Negative actuation with electrical control

HYDRAULIC SYSTEM

Vehicle model	PEGASUS 60.16	PEGASUS 60.21	PEGASUS 50.25	PEGASUS 50.26	PEGASUS 45.30
USA Vehicle model	P 132.53	P 132.67	P 110.79	P 110.84	P 100.97
Hydraulic pump type	Variable displacement pump with Load Sensing for power steering and movements. Gear pump for auxiliary services	Variable displacement pump with Load Sensing for power steering and movements. Gear pump for auxiliary services.	Variable displacement pump with Load Sensing for power steering and movements. Gear pump for auxiliary services.	Variable displacement pump with Load Sensing for power steering and movements	Variable displacement pump with Load Sensing for power steering and movements
Hydraulic pump capacity	50,2 gal/min (190 L/min)	50,2 gal/min (190 L/min)	50,2 gal/min (190 L/min)	76,6 gal/min (290 L/min)	76,6 gal/min (290 L/min)
Max. operating pressure	4351 psi (30,0 MPa)	4351 psi (30,0 MPa)	4351 psi (30,0 MPa)	4351 psi (30,0 MPa)	4351 psi (30,0 MPa)
Distributor control	Proportional 5in1 Joystick	Proportional 5in1 Joystick	Proportional 5in1 Joystick	Dual proportional Joystick	Dual proportional Joystick
Distributor type	Hydraulic in 5 sections with "Load Sensing" proportional electronic servo-control with "Flow Sharing", 5 simultaneous movements with independent maximum speed control of each movement. Continuous oil function on hydraulic socket.	Hydraulic in 5 sections with "Load Sensing" proportional electronic servo-control with "Flow Sharing", 5 simultaneous movements with independent maximum speed control of each movement. Continuous oil function on hydraulic socket.	Hydraulic in 5 sections with "Load Sensing" proportional electronic servo-control with "Flow Sharing", 5 simultaneous movements with independent maximum speed control of each movement. Continuous oil function on hydraulic socket.	Hydraulic in 5 sections with "Load Sensing" proportional electronic servo-control with "Flow Sharing", 5 simultaneous movements with independent maximum speed control of each movement	Hydraulic in 5 sections with "Load Sensing" proportional electronic servo-control with "Flow Sharing", 5 simultaneous movements with independent maximum speed control of each movement

REFUELING

Vehicle model	PEGASUS 60.16	PEGASUS 60.21	PEGASUS 50.25	PEGASUS 50.26	PEGASUS 45.30
USA Vehicle model	P 132.53	P 132.67	P 110.79	P 110.84	P 100.97
Hydraulic system (total)	71,33 gal (270,0 L)	71,33 gal (270,0 L)	71,33 gal (270,0 L)	84,54 gal (320,0 L)	84,54 gal (320,0 L)
Fuel tank	47,55 gal (180,0 L)	47,55 gal (180,0 L)	47,55 gal (180,0 L)	58,12 gal (220,0 L)	58,12 gal (220,0 L)
AdBlue tank	5,02 gal (19 L)	5,02 gal (19 L)	5,02 gal (19 L)	9,25 gal (35,0 L)	9,25 gal (35,0 L)

TRANSMISSION

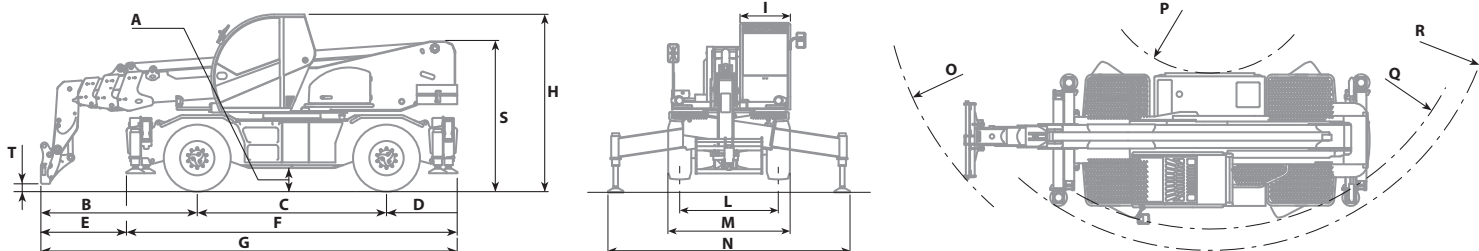
Vehicle model	PEGASUS 60.16	PEGASUS 60.21	PEGASUS 50.25	PEGASUS 50.26	PEGASUS 45.30
USA Vehicle model	P 132.53	P 132.67	P 110.79	P 110.84	P 100.97
Transmission type	Hydrostatic with variable displacement pump	Hydrostatic with variable displacement pump	Hydrostatic with variable displacement pump	Hydrostatic with electronic control with variable displacement pump and ECO function	Hydrostatic with continuous adjustment and electronic control
Hydraulic motor	Hydrostatic with continuous automatic adjustment	Hydrostatic with continuous automatic adjustment	Hydrostatic with continuous automatic adjustment	Hydrostatic with continuous automatic adjustment	Hydrostatic with continuous automatic adjustment
Reversal	Electro-Hydraulic operated with vehicle in motion	Electro-hydraulic operated with vehicle in motion	Electro-hydraulic operated with vehicle in motion	With electronic control operated with vehicle in motion	Electrohydraulic
Inching	With electronic pedal for controlled forward movement	With electronic pedal for controlled forward movement	With electronic pedal for controlled forward movement	With electronic pedal for controlled forward movement	With electronic pedal for controlled forward movement
Transmission gearbox	Servo-controlled 2-speed	Servo-controlled 2-speed	Servo-controlled 2-speed	Servo-controlled 2-speed	Servocontrolled 2-speed

TIRES

Vehicle model	PEGASUS 60.16	PEGASUS 60.21	PEGASUS 50.25	PEGASUS 50.26	PEGASUS 45.30
USA Vehicle model	P 132.53	P 132.67	P 110.79	P 110.84	P 100.97
Standard tires	18R22.5"	18R22.5"	18R22.5"	18R22.5"	18R22.5"
Optional tires	18-22.5"	18-22.5"	18x22.5"	-	-

DIMENSIONS

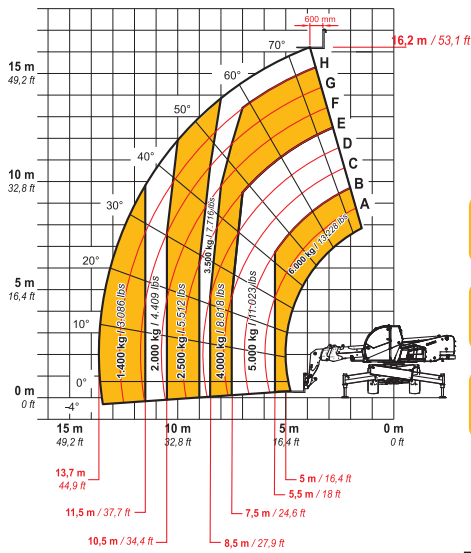
Vehicle model	PEGASUS 60.16	PEGASUS 60.21	PEGASUS 50.25	PEGASUS 50.26	PEGASUS 45.30
USA Vehicle model	P 132.53	P 132.67	P 110.79	P 110.84	P 100.97
A	14,2 in (360 mm)	14,2 in (360 mm)	14,2 in (360 mm)	16,5 in (420 mm)	16,5 in (420 mm)
B	104,6 in (2657 mm)	111,6 in (2835 mm)	134,3 in (3410 mm)	127,5 in (3239 mm)	127,2 in (3230 mm)
C	116,1 in (2950 mm)	116,1 in (2950 mm)	116,1 in (2950 mm)	127,6 in (3240 mm)	129,9 in (3300 mm)
D	53,7 in (1364 mm)	53,7 in (1365 mm)	64,6 in (1640 mm)	73,6 in (1870 mm)	73,6 in (1870 mm)
E	58,5 in (1486 mm)	65,6 in (1665 mm)	88,2 in (2240 mm)	53,9 in (1370 mm)	77 in (1955 mm)
F	208,3 in (5290 mm)	208,3 in (5290 mm)	208,3 in (5290 mm)	254,1 in (6455 mm)	254,1 in (6455 mm)
G	274,4 in (6970 mm)	281,5 in (7150 mm)	315 in (8000 mm)	331,1 in (8409 mm)	330,7 in (8400 mm)
H	119,3 in (3030 mm)	119,3 in (3030 mm)	119,3 in (3030 mm)	121,9 in (3095 mm)	121,9 in (3095 mm)
I	38,6 in (980 mm)	38,6 in (980 mm)	38,6 in (980 mm)	38,6 in (980 mm)	38,6 in (980 mm)
L	75,6 in (1920 mm)	75,6 in (1920 mm)	75,6 in (1920 mm)	78,7 in (2000 mm)	78,7 in (2000 mm)
M	93,7 in (2380 mm)	93,7 in (2380 mm)	93,7 in (2380 mm)	98,4 in (2500 mm)	98,4 in (2500 mm)
N	199,6 in (5070 mm)	199,6 in (5070 mm)	199,6 in (5070 mm)	221,5 in (5625 mm)	221,5 in (5625 mm)
O	216,1 in (5489 mm)	221,7 in (5630 mm)	236,2 in (6000 mm)	211 in (5360 mm)	234,6 in (5960 mm)
P	66,9 in (1700 mm)	66,9 in (1700 mm)	66,9 in (1700 mm)	60,4 in (1535 mm)	60,4 in (1535 mm)
Q	174,4 in (4430 mm)	174,4 in (4430 mm)	174,4 in (4430 mm)	173,2 in (4400 mm)	173,2 in (4400 mm)
R	188,6 in (4790 mm)	188,6 in (4790 mm)	188,6 in (4790 mm)	193,5 in (4915 mm)	193,5 in (4915 mm)
S	101,6 in (2581 mm)	100,6 in (2556 mm)	104,4 in (2651 mm)	108,3 in (2752 mm)	108,3 in (2752 mm)
T	4,9 in (124 mm)	4,7 in (119 mm)	3,3 in (85 mm)	5,2 in (131 mm)	3,5 in (90 mm)



MAX
6000 kg / 13.228 lb



DOC10001241



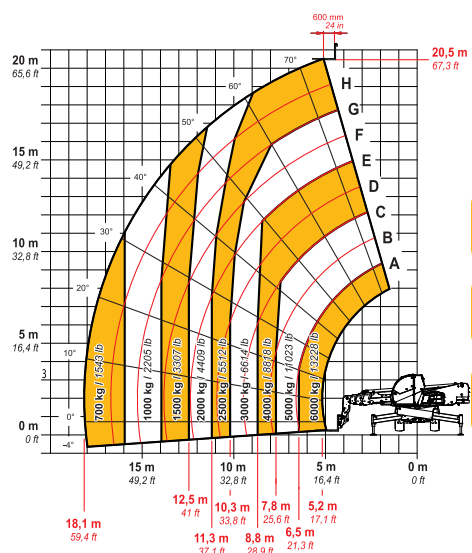
EN1459-2

60.16

MAX
6000 kg / 13228 lb



DOC10001119



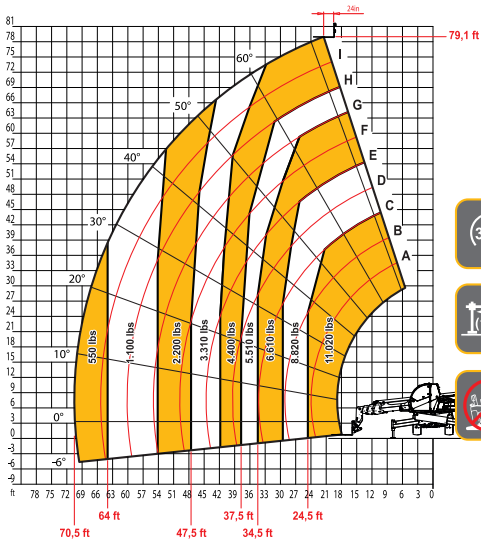
EN1459

60.21

MAX
11020 lb



DOC10001357



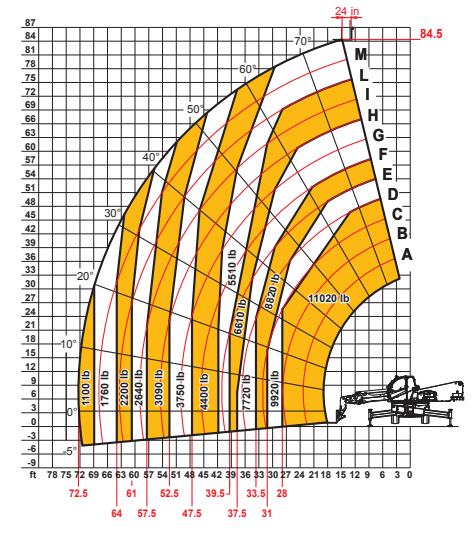
EN1459-2

50.25

MAX
11020 Lb



DOC10000952



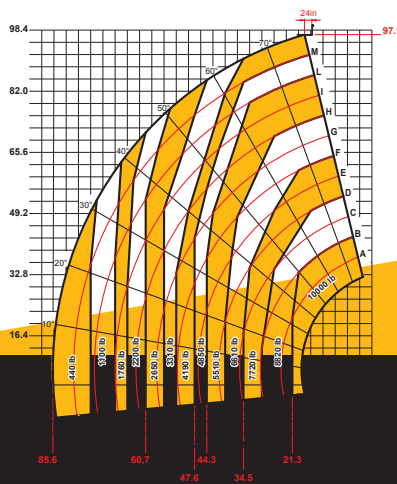
ANSI/ITSDF B56.6-2016

50.26

MAX
10000 lb



DOC10000737



45.30

Headquarters: 4200 White St. Suite 100, DFW, 76135 Texas

P: 844-257-2933 - F: 412.458.1084 - website: www.dieci-americas.com

DOCCT000091-EN-03