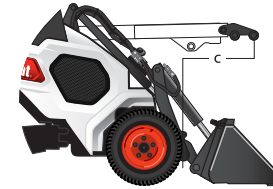
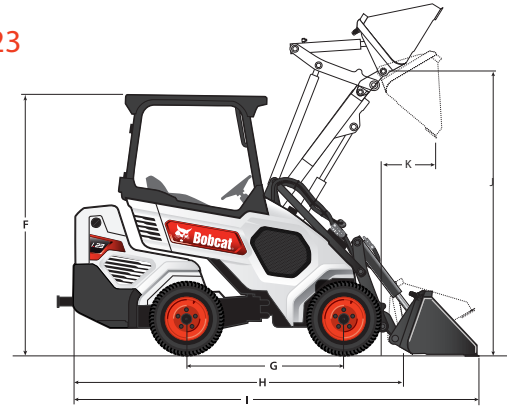


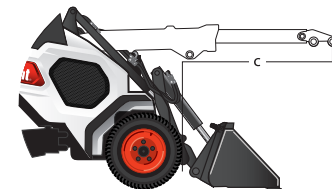


Model	L23	L28
Performance		
Rated Operating Capacity (ROC) Straight - 50% of Tip Load	1395 lb. (633 kg)	1534 lb. (696 kg) Ext 888 lb. (402 kg)
Rated Operating Capacity (ROC) Articulated - 50% of Tip Load	1159 lb. (525 kg)	1222 lb. (554 kg) Ext 712 lb. (323 kg)
Tipping Load (straight)	2789 lb. (1265 kg)	3068 lb. (1391 kg) Ext 1775 lb. (805 kg)
ROC Straight With Optional Counterweight	1815 lb. (823 kg)	1952 lb. (885 kg) Ext 1149 lb. (521 kg)
ROC Articulated With Optional Counterweight	1471 lb. (667 kg)	1475 lb. (669 kg) Ext 884 lb. (401 kg)
Tipping Load (straight) With Optional Counterweight	3629 lb. (1646 kg)	3904 lb. (1771 kg) Ext 2297 lb. (1042 kg)
J - Height to Bucket Hinge Pin	85.4 in. (2169 mm)	104.3 in. (2650 mm)
K - Reach at Maximum Height	16.8 in. (427 mm)	30.9 in. (785 mm)
Size and Speed		
Operating Weight	3790 lb. (1719 kg)	4195 lb. (1903 kg)
Weight With Add-On Counterweight	4260 lb. (1932 kg)	4710 lb. (2136 kg)
Travel Speed	8.2 mph (13.2 km/hr.)	8.3 mph (13.4 km/hr.)
Engine		
	Tier 4	Tier 4
Horsepower	24.8 hp (18.5 kW)	24.8 hp (18.5 kW)
Fuel Tank Capacity	9.6 gal (36.2 L)	9.6 gal (36.2 L)
Type	Diesel	Diesel
Uptime Protection		
Machine Shutdown Protection	Std	Std
Hydraulic System		
Auxiliary Standard Flow	12.1 gpm (45.8 L/min.)	12.1 gpm (45.8 L/min.)
System Relief at Quick Couplers	2900 psi (20 MPa)	2900 psi (20 MPa)
Dimensions		
F - Cab Height	78.1 in. (1983 mm)	78.1 in. (1983 mm)
E - Width Without Attachment	43.2 in. (1097 mm)	46.5 in. (1181 mm)
B - Standard Bucket Width	44.0 in. (1118 mm)	50.0 in. (1270 mm)
H - Length Without Attachment	93.2 in. (2367 mm)	93.2 in. (2367 mm)
I - Length With Standard Bucket	122.4 in. (3109 mm)	122.4 in. (3109 mm)
C - Max Reach	21.0 in. (535 mm)	44.6 in. (1135 mm)
G - Wheelbase	47.2 in. (1200 mm)	47.2 in. (1200 mm)
A - Articulation Angle	43°	43°
D - Ground Clearance	5.4 in. (139 mm)	5.4 in. (139 mm)
Ground Clearance at Articulation Joint	7.8 in. (198 mm)	7.8 in. (198 mm)
Machine Width with Tires		
Tractor: 23 x 5.70 - 12	38.9 in. (990 mm)	-
Tractor: 23 x 8.50 - 12	42.9 in. (1091 mm)	42.9 in. (1091 mm)
Tractor: 26 x 12.00 - 12	-	51.0 in. (1297 mm)
Turf: 23 x 8.50 - 12	43.2 in. (1097 mm)*	43.2 in. (1097 mm)
Turf: 23 x 10.50 - 12	46.4 in. (1180 mm)	46.4 in. (1180 mm)*
Turf: 26 x 12.00 - 12	-	51.5 in. (1308 mm)
Safety Equipment		
Operator Interlock Control System (incorporated in left armrest)	Std	Std
ROPS/FOPS Approved (Roll Over Protection Structure/Falling Object Protection Structure)	Std	Std
Fully Retractable Seatbelt	Std	Std
Machine Features		
Heated Cab With Heated Seat & Block Heater	Opt	Opt
Adjustable Suspension Seat	Std	Std
Cup Holder	Std	Std
Backup Alarm & Horn	Std	Std
Parking Brake	Std	Std
Radio	Opt	Opt
Spark Arrestor Muffler	Std	Std
LED Worklights	Std	Std
Rotating Flashing Beacon or Strobe	Opt	Opt
Road lights With Tail Lights, Turn Signals & 4-Way Flashers	Opt	Opt
Traction Assist	Opt	Opt
Purifier Muffler Opt	Opt	Opt
Features for Attachments		
Bob-Tach Attachment System	Std	Std
Power Bob-Tach System	Opt	Opt
Auxiliary Hydraulics	Std	Std

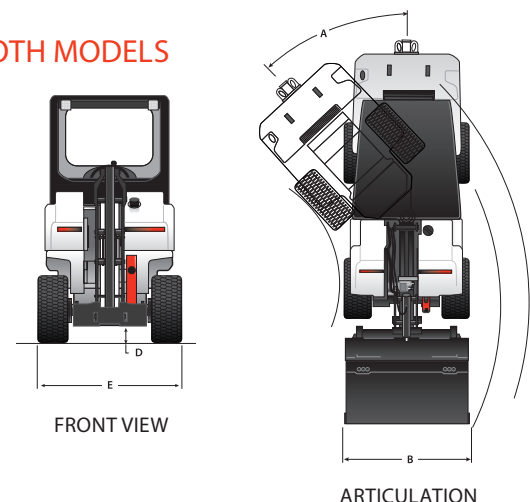
L23



L28



BOTH MODELS



*Standard tires