




**Bobcat**®

## Small Articulated Loaders



***One Tough Animal***®



A large pile of dark brown mulch and green grass is stacked against the side of a house. The house has light-colored horizontal siding and a white door with a blue upper panel. The scene is brightly lit, suggesting a sunny day.

# FIT WITHIN THE BOUNDARIES. WORK BEYOND THE LIMITS.

Big challenges can fit in small spaces. When you need a machine that's tough enough to take them on – without disturbing established surfaces – the new small articulated loaders from Bobcat provide the answer.





### **Nimble, Ground-Friendly Design**

The small articulated loader has an articulation joint that allows the rear tires of the loader to follow the path of the front tires throughout a turn. This makes the machine highly maneuverable and minimizes ruts, tears and marks that require time-consuming repairs.

### **Impressive Lifting Performance**

It's a small loader, but it's made for big productivity. Bobcat® small articulated loaders are designed to deliver serious performance to small spaces and sensitive surfaces. Compared to similar machines from other manufacturers, these loaders are designed to lift more, work faster and maximize your capabilities – wherever the work takes you.

### **Industry-Leading, Productivity-Boosting Comfort**

Bobcat brings a level of comfort that hasn't been seen in a small articulated loader until now. Its thoughtful design gives operators extra space where they need it, and its easy-to-use controls enable seasoned pros and novices alike the ability to maximize their productivity. A wide range of creature comforts make every minute spent in the cab more enjoyable.



# IT FITS EASILY, BUT ITS PERFORMANCE IS HARD TO BELIEVE.

From material handling to grounds maintenance, this machine fits right in to rise up to the challenge. The small articulated loader features a tight-turning articulation joint that allows maneuverability in tight spaces. Combined with the machine's turf-safe mode, this powerful machine limits the chance of cutting into the turf as it turns or hauls a load. Its impressive lifting capability is housed in a compact machine that easily works inside fenced-in landscapes, pens, nurseries and more.



## Heavy Lifting Capacity. Small Package.

The Bobcat small articulated loader can lift and handle heavy loads. You'll get excellent lifting capacity in a compact machine. It brings excellent lifting performance to a wide range of jobsites.

## Standard and Optional Counterweight

The standard integrated counterweight provides optimal lift capacity and extra protection for the machine's composite covers and cooling package.





### **Low-rpm, High-Torque Engine**

The dependable 25 hp, 2600 rpm engine provides generous torque at a lower rpm, providing performance that is more forgiving when pushing the machine to its limit under load.

### **Mechanical Leveling Assist**

When handling materials up high, many small articulated loaders allow the bucket to roll back toward the cab, causing material to spill. Any bit of dirt that spills out of your bucket can add up to lost productivity over time. Bobcat small articulated loaders make operation easier by maintaining optimal bucket rollback at full height and reducing material spillage.

### **Efficient Cooling**

With an efficient cooling system, Bobcat small articulated loaders offer leading performance for improved operation and component protection. Side and front inlets bring cool air into the engine compartment and send it through the screened rear exit. The rear radiator screen is removable for easy cleanout, and its corrugated steel construction provides excellent durability. A separate temperature-controlled hydraulic oil cooler operates as needed to ensure quieter operation as well.

### **L28 TELESCOPING LIFT ARM**

Reach trailer dump height, backdrag, adjust your attachment and more. The lift arm extends to a lift height of 104 inches. The telescoping lift arm includes an innovative dual-cylinder design that keeps the load level as you move the bucket. The telescopic cylinder is synchronized with a hydraulic leveling link, providing leveling assist and preventing spillage over the back of the bucket.





PERFORMANCE

# HIGH *TRACTIVE* EFFORT

The Bobcat small articulated loader features series-connected drive motors that allow the machine to keep moving in rough or uneven terrain even if one or more wheels are not touching the ground.



## **Minimal Ground Disturbance**

With its tight-turning articulated steering and light overall footprint, the Bobcat small articulated loader limits cuts or tears in the turf when turning or hauling a load. This leads to fewer surface repairs after the job is complete.





### Automatic Traction Mode

When operating the small articulated loader, the machine automatically enables one of two traction modes, based on operation.

**High Traction:** When the steering wheel is not turning, improved traction provides excellent control and mobility over rough or slippery terrain.

**Turf Safe:** While actively steering, turf-safe mode keeps the wheels from scrubbing on the ground, causing the least possible ground disturbance.

### Optional Traction Assist Switch

Similar to a differential lock, the traction assist switch enables you to momentarily override the automatic modes, enabling all wheels to travel through adverse conditions such as mud or sidehill travel.

### Tight Turning Radius

The small articulated loader delivers precise maneuverability, thanks to its articulation joint that enables the rear tires of the loader to match the path of the front tires as they turn. This results in a highly nimble machine that navigates around obstacles with ease and works well in enclosed yards and small work zones.

## EASY TO TRANSPORT

Small articulated loaders are a highly transportable and relatively lightweight solution that enables you to quickly get your machine to the job and get to work. It will easily fit on pan trailers, dump trailers – and even some enclosed trailers that are utilized for small-frame skid-steer loaders.





UPTIME



# THERE'S NO TIME LIKE **UPTIME.**

When you choose the Bobcat small articulated loader, you'll rest easy with innovative engineering that ensures jobsite obstacles or debris won't slow down your work.



## **CAB CORNER PROTECTION**

Rubber bumpers help to protect the cab's corners while articulating the loader.

## **OPTIONAL REAR GUARD**

Add additional protection – and worry less about potential impact damage to the cooling package and radiator – by installing the optional rear guard accessory.





MADE FOR  
**EASY MAINTENANCE**

When you rely on your equipment to complete your job, serviceability has to be easy – and it can't take up too much of your time. Bobcat always keeps easy serviceability in mind, ensuring that instrumentation is simple to understand, components are easy to reach and daily maintenance is quick to complete.

**Standard Instrumentation**

The easy-to-read, backlit display panel provides operating information and critical machine errors and warnings.

**Easy Battery Terminal Access**

For jumpstarts or charging a low battery, the readily accessible battery terminals save time and effort to get your loader up and running.

**High-Capacity Air Filter**

The dual-element, high-capacity filter with visual indicator delivers clean airflow to your engine and excellent contaminant-holding capacity for long life and maximum component protection.

**Maintenance-Free Engine Accessory Drive Belt**

A dependable serpentine accessory drive belt requires no tensioning and no maintenance.

**Central Fuse and Relay Access**

Fuses and relays are centrally located behind a cover inside the cab.



COMFORT

MAKE  
**COMFORT**

YOUR PARTNER IN  
**PRODUCTIVITY.**

Bobcat doesn't see comfort as a luxury. It's essential to your productivity. That's why every Bobcat machine is designed with the operator's experience in mind. Visibility, cab space, ease of control, air flow and ergonomics add up to focused work and satisfied employees who look forward to doing their best. Compare Bobcat small articulated loaders to the others, and you'll feel the difference.



### **INTUITIVE TWIN-PEDAL TRAVEL CONTROLS**

A simple twin-pedal design enables quick and easy direction changes: One pedal moves you forward, the other moves you in reverse. It's a style of travel control that is easy for operators to master, making the small articulated loader a great choice for seasonal employees or rental customers. It's also convenient and simple for operators who need to understand controls for multiple machines.

### **SPACIOUS CAB**

Compared to other small articulated loaders, the Bobcat interior is engineered with more space for the operator, with special attention paid to cab height, foot room and room between the seat and the steering wheel. You'll enjoy more room that enables better productivity during long hours in the cab.





### **OPTIONAL ENCLOSED, HEATED CAB**

Stay comfortable in cold and wet weather with the optional cab enclosure with heated seat. The window panels can be added and removed, giving you flexibility to adapt with the weather. Strategically placed, louvered vents quickly defrost windows and direct heat to operators, providing excellent all-season versatility for winter months. The heated seat helps to keep your body warm and comfortable while working on frigid days.

### **ERGONOMIC CONTROLS**

The steering wheel and joystick are simple to reach and intuitive to use, with fingertip auxiliary or telescopic controls that facilitate quick, simple operation instead of mechanical switches. Bobcat small articulated loaders also provide variable flow control similar to our skid-steer and compact track loaders, unlike the standard mechanical levers found in other machines.

### ***CROSS-VENTILATION WINDOWS***

The side and rear windows open to provide fresh airflow across the operator, helping to provide more comfort.







## UNLEASH YOUR **VERSATILITY.**

We want your small articulated loader to be your go-to machine all day long. That's why it's designed to be used for countless tasks, thanks to its easy attachment hookups to its powerful hydraulics. And when you need to adapt to unique tasks, Bobcat manufactures a variety of tough attachments that take you well beyond bucket work.

### **Bob-Tach Attachment Mounting System**

The Bob-Tach® system accepts select mini track loader and standard Bobcat attachments, which greatly expands the range of approved attachment possibilities and allows you to do more kinds of work with one powerful machine.

### **Optional Power Bob-Tach System**

With the Power Bob-Tach system, you can change non-hydraulic attachments without leaving the comfort of your cab. Just line up the attachment and press the switch.

### **Auxiliary Hydraulics**

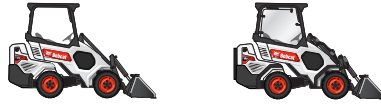
Auxiliary hydraulics allow even more attachment possibilities. A maximum flow of up to 12 gpm and up to 2900 psi gives you powerful performance and superb work results. Pressure-release quick couplers relieve system pressure for easy hydraulic hookup and removal.

### **Bobcat Attachments**

Small articulated loader attachments deliver the most versatility for your equipment investment. Whether it's handling dirt and snow, digging holes, doing brushwork, or moving pallets of materials, with the right attachment, you can adapt to a new task in minutes.

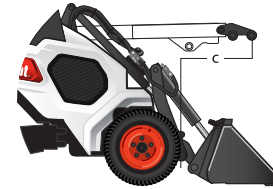
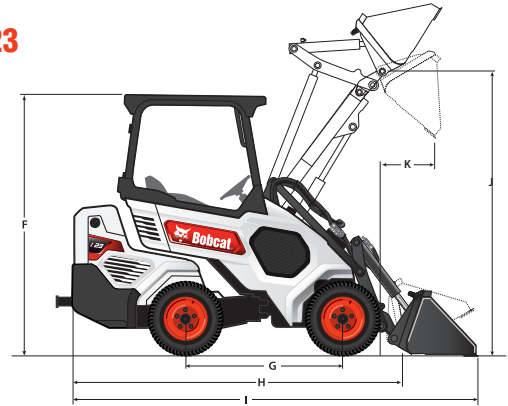




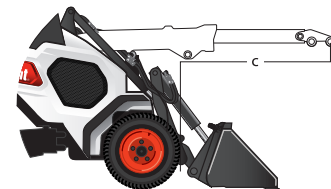


| Model   | L23                    | L28  |
|---|------------------------|--|
| <b>Performance</b>  |                        |  |
| Rated Operating Capacity (ROC) Straight - 50% of Tip Load                               | 1395 lb. (633 kg)      | 1534 lb. (696 kg)<br>Ext 888 lb. (402 kg)    |
| Rated Operating Capacity (ROC) Articulated - 50% of Tip Load                            | 1159 lb. (525 kg)      | 1222 lb. (554 kg)<br>Ext 712 lb. (323 kg)    |
| Tipping Load (straight)   | 2789 lb. (1265 kg)     | 3068 lb. (1391 kg)<br>Ext 1775 lb. (805 kg)  |
| ROC Straight With Optional Counterweight  | 1815 lb. (823 kg)      | 1952 lb. (885 kg)<br>Ext 1149 lb. (521 kg)   |
| ROC Articulated With Optional Counterweight   | 1471 lb. (667 kg)      | 1475 lb. (669 kg)<br>Ext 884 lb. (401 kg)    |
| Tipping Load (straight) With Optional Counterweight                                     | 3629 lb. (1646 kg)     | 3904 lb. (1771 kg)<br>Ext 2297 lb. (1042 kg) |
| J - Height to Bucket Hinge Pin  | 85.4 in. (2169 mm)     | 104.3 in. (2650 mm)                          |
| K - Reach at Maximum Height   | 16.8 in. (427 mm)      | 30.9 in. (785 mm)                            |
| <b>Size and Speed</b>   |                        |  |
| Operating Weight  | 3790 lb. (1719 kg)     | 4195 lb. (1903 kg)                           |
| Weight With Add-On Counterweight  | 4260 lb. (1932 kg)     | 4710 lb. (2136 kg)                           |
| Travel Speed  | 8.2 mph (13.2 km/hr.)  | 8.3 mph (13.4 km/hr.)                        |
| <b>Engine</b>   |                        |  |
|   | Tier 4                 | Tier 4                                       |
| Horsepower  | 24.8 hp (18.5 kW)      | 24.8 hp (18.5 kW)                            |
| Fuel Tank Capacity  | 9.6 gal (36.2 L)       | 9.6 gal (36.2 L)                             |
| Type  | Diesel                 | Diesel                                       |
| <b>Uptime Protection</b>  |                        |  |
| Machine Shutdown Protection   | Std                    | Std  |
| <b>Hydraulic System</b>   |                        |  |
| Auxiliary Standard Flow   | 12.1 gpm (45.8 L/min.) | 12.1 gpm (45.8 L/min.)                       |
| System Relief at Quick Couplers   | 2900 psi (20 MPa)      | 2900 psi (20 MPa)                            |
| <b>Dimensions</b>   |                        |  |
| F - Cab Height  | 78.1 in. (1983 mm)     | 78.1 in. (1983 mm)                           |
| E - Width Without Attachment  | 43.2 in. (1097 mm)     | 46.5 in. (1181 mm)                           |
| B - Standard Bucket Width   | 44.0 in. (1118 mm)     | 50.0 in. (1270 mm)                           |
| H - Length Without Attachment   | 93.2 in. (2367 mm)     | 93.2 in. (2367 mm)                           |
| I - Length With Standard Bucket   | 122.4 in. (3109 mm)    | 122.4 in. (3109 mm)                          |
| C - Max Reach   | 21.0 in. (535 mm)      | 44.6 in. (1135 mm)                           |
| G - Wheelbase   | 47.2 in. (1200 mm)     | 47.2 in. (1200 mm)                           |
| A - Articulation Angle  | 43°                    | 43°  |
| D - Ground Clearance  | 5.4 in. (139 mm)       | 5.4 in. (139 mm)                             |
| Ground Clearance at Articulation Joint  | 7.8 in. (198 mm)       | 7.8 in. (198 mm)                             |
| <b>Machine Width with Tires</b>   |                        |  |
| Tractor: 23 x 5.70 - 12   | 38.9 in. (990 mm)      | -  |
| Tractor: 23 x 8.50 - 12   | 42.9 in. (1091 mm)     | 42.9 in. (1091 mm)                           |
| Tractor: 26 x 12.00 - 12  | -                      | 51.0 in. (1297 mm)                           |
| Turf: 23 x 8.50 - 12  | 43.2 in. (1097 mm)*    | 43.2 in. (1097 mm)                           |
| Turf: 23 x 10.50 - 12   | 46.4 in. (1180 mm)     | 46.4 in. (1180 mm)*                          |
| Turf: 26 x 12.00 - 12   | -                      | 51.5 in. (1308 mm)                           |
| <b>Safety Equipment</b>   |                        |  |
| Operator Interlock Control System (incorporated in left armrest)                        | Std                    | Std  |
| ROPS/FOPS Approved (Roll Over Protection Structure/Falling Object Protection Structure) | Std                    | Std  |
| Fully Retractable Seatbelt  | Std                    | Std  |
| <b>Machine Features</b>   |                        |  |
| Heated Cab With Heated Seat & Block Heater  | Opt                    | Opt  |
| Adjustable Suspension Seat  | Std                    | Std  |
| Cup Holder  | Std                    | Std  |
| Backup Alarm & Horn   | Std                    | Std  |
| Parking Brake   | Std                    | Std  |
| Radio   | Opt                    | Opt  |
| Spark Arrestor Muffler  | Std                    | Std  |
| LED Worklights  | Std                    | Std  |
| Rotating Flashing Beacon or Strobe  | Opt                    | Opt  |
| Road lights With Tail Lights, Turn Signals & 4-Way Flashers                             | Opt                    | Opt  |
| Traction Assist   | Opt                    | Opt  |
| Purifier Muffler Opt  | Opt                    | Opt  |
| <b>Features for Attachments</b>   |                        |  |
| Bob-Tach Attachment System  | Std                    | Std  |
| Power Bob-Tach System   | Opt                    | Opt  |
| Auxiliary Hydraulics  | Std                    | Std  |

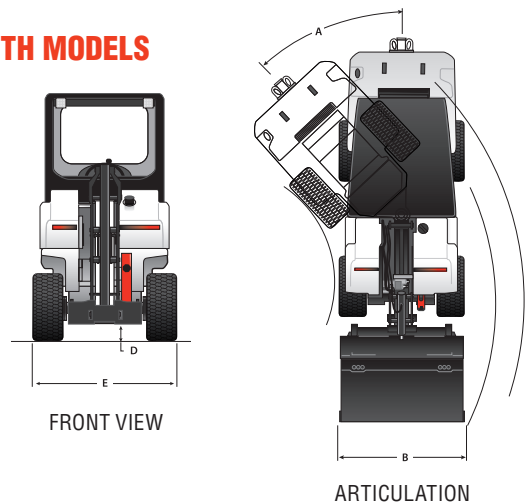
## L23



## L28



## BOTH MODELS



\*Standard tires









### PIONEERING MANEUVERABILITY

Bobcat introduced its first compact loader in 1958, and two years later, the world's first skid-steer loader. This created an entire industry of machines that put the power of large equipment in a compact size with unmatched maneuverability.

### OFFERING MORE VERSATILITY

In 1970, Bobcat invented the first quick-change attachment system for skid-steer loaders, known as the Bob-Tach mounting system. Today we offer more compact equipment attachments than anyone in the world, empowering customers to transform all of our machines into multi-tasking attachment carriers and reach higher levels of production.

### ONE TOUGH ANIMAL®

All over the world, Bobcat equipment is known for being durable and dependable. By lasting longer and minimizing downtime, we help our customers become as successful as possible.

### HELP WHEN YOU NEED IT

With over 50 years of experience and more than 550 locations, we offer the best dealer network in the country for compact equipment. Our dealers offer a quality sales force, dependable parts departments and qualified service technicians, all leading to a quality customer experience.



### A CONSTANT INNOVATOR

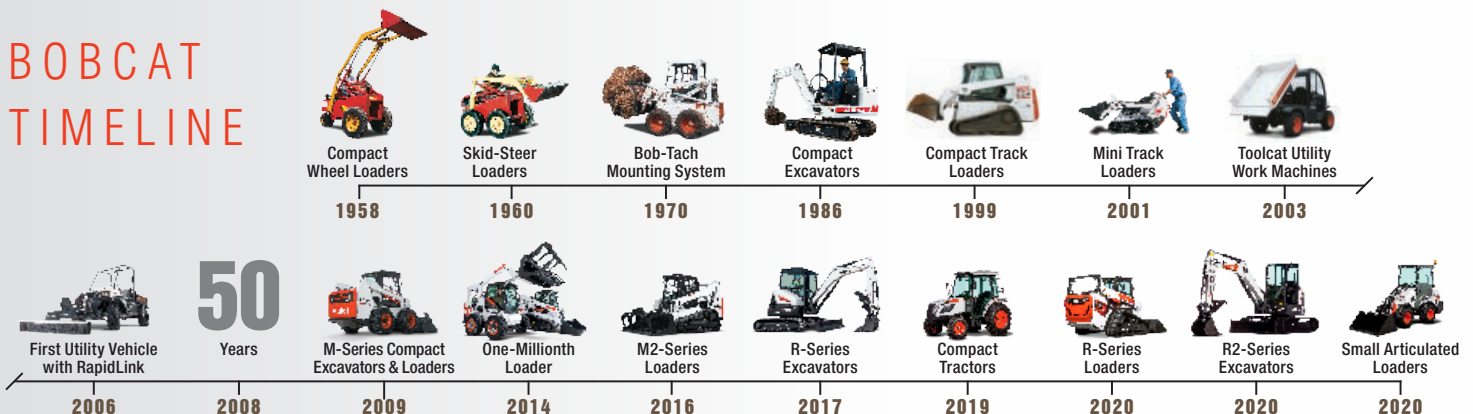
In the late 1950s, a turkey farmer needed help – so in 1958, we introduced what was to become the world's first skid-steer loader. We created an industry by listening to the needs of the customer. This focus is the same today. In 2000, a superintendent needed help – so we built the world's first Toolcat utility work machine. We continue to be a global leader in innovation by listening to our customers.

### LEADER BY DESIGN

Listening to the customer and a pioneering spirit are why Bobcat continues to lead the evolution of compact equipment ...

- 1960** Invented the FIRST true skid-steer loader.
- 1970** Invented the FIRST attachment mounting system for skid-steer loaders.
- 1977** Built the FIRST skid-steer loader with no chain adjustments required. Still a Bobcat exclusive.
- 1981** Introduced the FIRST secondary restraint seat bar.
- 1983** Developed the FIRST skid-steer loader with a transversely mounted engine. Still a Bobcat exclusive.
- 1990** Introduced the FIRST compact excavator manufactured in the U.S.
- 1999** Introduced the FIRST compact track loader with a solid-mounted undercarriage manufactured in the U.S.
- 2001** Invented the FIRST loader with all-wheel steer and skid-steer capabilities. Still a Bobcat exclusive.
- 2003** Revolutionized the way the world works with the invention of the Toolcat™ utility work machine line, the world's FIRST utility work machines – a cross between a pickup, attachment carrier and utility vehicle. Still a Bobcat exclusive.
- 2006** Introduced the FIRST utility vehicle with RapidLink™ attachment mounting system.
- 2008** Introduced Roller Suspension™, the FIRST all-steel suspension system.
- 2009** Launched M-Series compact excavators and loaders.
- 2011** The M-Series loader models S850 and T870 became the largest and most powerful in the Bobcat product lineup.
- 2012** Bobcat introduced two new sizes of extendable-arm excavator options that are both attachment and clamp-ready.
- 2013** The M-Series 500 frame-size loaders replaced the popular S185 and T190 (among many others). This loader size is the most popular in the world and has been for two decades.
- 2014** Bobcat launched the 400 frame-size loaders, completing the M-Series line; manufactured its one-millionth loader; introduced its own Tier 4, non-DPF engines; and opened the Bobcat Acceleration Center, a dedicated innovation, testing and technology facility.
- 2016** Launched the M2-Series loaders.
- 2017** Launched the R-Series excavators.
- 2019** Launch of the compact tractor.
- 2020** Launch of R-Series loaders.
- 2020** Launch of R2-Series excavators.
- 2020** Launch of small articulated loaders.
- Today** There are more Bobcat skid-steer loaders at work around the world than all other brands combined.
- Today** Bobcat manufactures more attachments than anyone in the world.
- Today** Bobcat is the only company that offers operator training kits for compact equipment.
- Today** Bobcat offers a full range of extendable-arm options, three sizes fitting five different excavator models.
- Today** Compact track loaders are rapidly becoming the product of choice in many market segments.

## BOBCAT TIMELINE







# YOU ARE ONE TOUGH ANIMAL.

Everything we put into Bobcat equipment is designed to make more of whatever you bring to the job. Whether it's strength, versatility, speed or agility, it's built around you.



**Bobcat is a Doosan company.** Doosan is a global leader in construction equipment, power and water solutions, engines, and engineering, proudly serving customers and communities for more than a century.

Bobcat®, the Bobcat logo and the colors of the Bobcat machine are registered trademarks of Bobcat Company in the United States and various other countries.

©2020 Bobcat Company. All rights reserved.



Printed on 10% recycled paper

B-2290(03/20)  
Kn-?M-0320-68524-F

**Bobcat Company**

250 East Beaton Drive • West Fargo, ND 58078

[Bobcat.com](http://Bobcat.com)



**Bobcat®**

*One Tough Animal.*